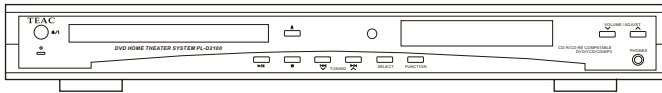


TEAC



SERVICE MANUAL

PL-D2100

DVD Home Theater System



NOTES

- PC board shown are viewed from parts side.
- The parts with no reference number or no parts number in the exploded views are not supplied.
- As regards the resistors and capacitors, refer to the circuit diagrams contained in this manual.
- ⚠ Parts marked with this sign are safety critical components. they must be replaced with identical components - refer to the appropriate parts list and ensure exact replacement.
- Parts of [] mark can be used only with the version designated.
[E]: EUROPE. [SG]: SINGAPORE [HK]: HONG KONG
[SAF]: SOUTH AFRICA [AUS]: AUSTRALIA
[GR]: GREECE

CONTENTS

1 SPECIFICATIONS	2
2 EXPLODED VIEW AND PARTS LIST	3
3 PC BOARDS AND PARTS LIST	7
4 WIRING DIAGRAM	17
5 INCLUDED ACCESSORIES	18

PL-D2100

1 SPECIFICATIONS

DVD Player

Pickup :	Semiconductor laser, Wavelength 650 nm
Signal system :	NTSC / PAL
Video signal horizontal resolution :	More than 480 lines (DVD)
Video signal-to-noise-ratio :	More than 55 dB (DVD)
Audio frequency response (at 2 CH stereo mode) :	20 Hz ~ 20 kHz (+1/-3dB)
Audio signal-to-noise ratio :	More than 80 dB
Total harmonic distortion :	Less than 0.01%

FM Tuner

System:	PLL quartz-locked digital synthesizer system
Tuning range :	87.5 ~ 108.0 MHz (50 kHz step)
Antenna terminals :	75 ohms, unbalanced
Intermediate frequency :	10.7 MHz

AM Tuner

System:	PLL quartz-locked digital synthesizer system
Tuning range :	522 ~ 1620 kHz (9 kHz interval)

Video outputs

CVBS Video :	1 Vp-p 75 ohms
S-video :	Y: 1 Vp-p 75 ohms, C:0.3 Vp-p 75 ohms
AV Connector :	SCART x 1

Audio outputs

Line outputs :	300mVrms, 2.2 kilo ohms
Output Power (RMS, 1 kHz, 8 ohm, only one channel driven)	30W per channel

General

Power requirements :	230V AC, 50 Hz (Europe model) 240AC, 50Hz (Australia model)
Power consumption :	120 W (STAND BY: less than 0.5W)
Dimension (W x H x D):	430 x 348 x 48 mm
Weight:	4.1 kg
Operating temperature:	5°C ~ 35°C (40°F ~ 95°F)
Operating humidity:	5% ~ 90%
Storage temperature:	-20°C ~ 55°C (-4°F ~ 131°F)

Active Subwoofer

Output Power :	75 W (80 Hz, THD 10%)
Speaker unit :	16.5 cm, cone type
Weight :	7.0 kg
Dimension (W x H x D):	200 x 300 x 321mm
Power consumption :	70 W

Speakers

Input Power :	30 W maximum
Speaker unit :	75 mm (Front/Surround) 65 mm x 2 (Center)

Rated impedance :	8 ohms
Dimension (W x H x D):	90 x 130 x 81mm (Front/Rear) 200 x 77 x 81mm (Center)
Weight :	0.8 kg (Front)/0.6kg (Surround) /1kg (Center)

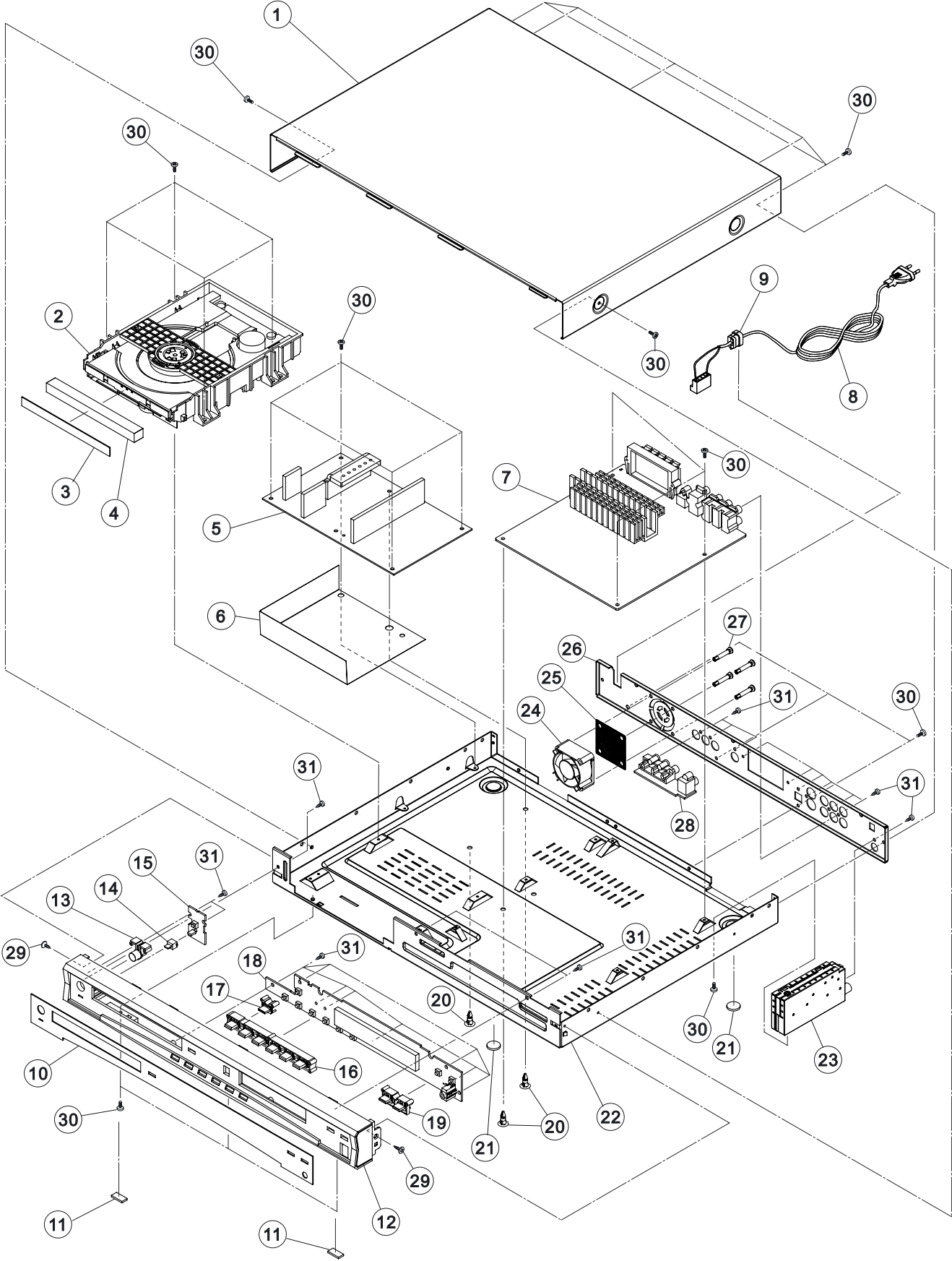
Accessories

Front/Center speaker cable (5 m x 3)
Surround speaker cable (10 m x 2)
Subwoofer RCA pin cord (5 m)
AM loop antenna x 1
FM antenna x 1
RCA video cable x 1
Remote control unit x 1
Batteries (AA, R6, SUM-3) x 2

- Design and specifications are subject to change without notice.
- Weight and dimensions are approximate.
- Illustrations may differ slightly from production model.

2 EXPLODED VIEW AND PARTS LIST

EXPLODED VIEW-1

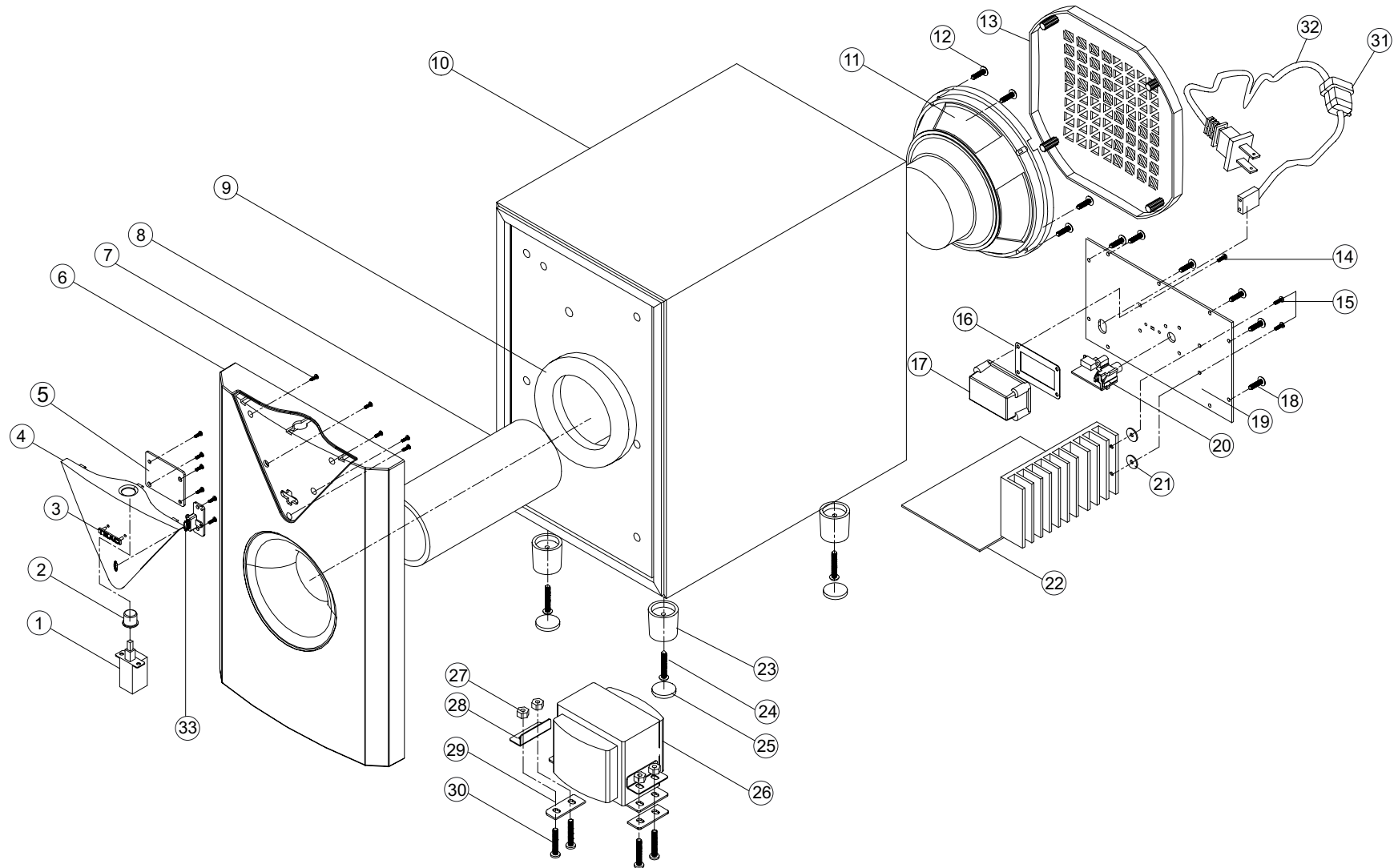


PL-D2100

EXPLODED VIEW - 1



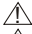


REF. NO	PARTS NO.	DESCRIPTION	REMARKS
1-1	GSE200059-0002	TOP CABINET	
1-2	WVD100008-0002	DVD MECH. KDA898ST	
1-3	BPN200025-0001	DOOR LENS	
1-4	BPD200011-0001	DVD DOOR	
1-5	APE200630-0004	POWER PCB ASSY	
1-6	BEP221002-0001	PVC SHEET- 127.8X115.8X25MM	
1-7	APE200831-0001	MAIN PCB ASSY [E, GR]	
	APE200831-0002	MAIN PCB ASSY [SAF, AUS]	
	APE200831-0005	MAIN PCB ASSY [SG]	
	APE200831-0006	MAIN PCB ASSY [HK]	
1-8	⚠ VPE003252-0010	LINE CODE 2P - VDE [E, GR, SAF]	
	⚠ VPE001254-0011	LINE CODE 2P - SAA [AUS]	
	⚠ VPE00A25A-0010	LINE CORD 3P - ATSA [HK, SG]	
1-9	DBU001005-0010	BUSHING AC LINE BUSHING	
1-10	BPN200024-0001	FRONT PANEL LENS	
1-11	BRB200006-0001	RUBBER 115.6X6.6X2MM	
1-12	BPF200023-0001	FRONT PANEL	
1-13	BPK218018-0001	POWER KNOB	
1-14	BPN200026-0001	LED LENS	
1-15	APE200752-0001	STANDBY PCB ASSY	
1-16	BPK208017-0001	FUNCTION KNOB	
1-17	BPK228018-0001	OPEN/CLOSE KNOB	
1-18	APE200751-0002	CONTROL PCB ASSY	
1-19	BPK208018-0001	VOLUME KNOB	
1-20	DSS100019-0001	SPACER - A=70 C=1.3-2MM	
1-21	BRB000049-0002	RUBBER - 14X2MM WHITE	
1-22	GSE200064-0001	BOTTOM CABINET	
1-23	WTP000011-0004	TUNER PACK KST-F404HA	
1-24	FAN021208-0002	DC FAN 12V	
1-25	GSN207001-0001	FAN NET COVER	
1-26	GSE200081-0001	BACK CABINET [HK]	
	GSE200080-0001	BACK CABINET [EUR, GR, SAF]	
	GSE200080-0002	BACK CABINET [AUS]	
	GSE200080-2001	BACK CABINET [SG]	
1-27	HOT001004-0001	SNAP RIVET 4X20 BLK	
1-28	APE104210-0001	YUV PCB ASSY [HK]	
	APE200832-0001	SCART PCB ASSY [E, SAF, GR, SG, AUS]	
1-29	HSF143084-1060	SCREW STEEL M3X6X0.5P	
1-30	HST143084-1060	SCREW M3X6X0.5P	
1-31	HSP140054-1080	SCREW T3X8X1.06P	

EXPLODED VIEW-2



PL-D2100

EXPLODED VIEW - 2

REF. NO	PARTS NO.	DESCRIPTION	REMARKS
2-1	MSW003019-0010	SW. PUSH P12	
2-2	BPK106012-0003	POWER KNOB	
2-3	BPL010014-0003	LOGO PLATE	
2-4	BPR111001-0001	SPK TRIM	
2-5	APE100102-0011	SW PCB ASSY	
2-6	BPF105018-0003	SPK, CAB	
2-7	HST140044-3080	SCREW, T2.5XP0.91XL8.0MM	
2-8	DPP016555-1201	PAPER PORT TUBE, OD65XID55XL120MM	
2-9	IVE100089-0002	SPONGE, OD118XID50XT5MM	
2-10	EVM100027-0007	WOOD BOX	
2-11	FSB027565-3110	SPK DRIVER, 6.5 INCH 4OHM	
2-12	HST140071-3140	SCREW, T3.5X14MM BLK	
2-13	BPG001046-0001	GRILLE	
2-14	HST140054-3100	SCREW, M3X10 BLK	
2-15	HST140063-3081	SCREW, T3.0XL8.0XP1.06MM	
2-16	IVE000095-0001	COVER SPONGE, L55XW36XT2MM	
2-17	BPC000021-0001	REAR COVER	
2-18	HST140071-3140	SCREW, T3.5X14MM BLK	
2-19	GSP000026-0017	REAR PLATE	
2-20	APE100089-0001	JACK SWITCH PCB ASSY	
2-21	HWF11C035-6160	FIBER WASHER DIA12XID3.5XT1.6MM	
2-22	APE100092-0004	AMP PCB ASSY	
2-23	BPE00005-0002	FOOT, D25XL25	
2-24	HSD143103-3250	SCREW, M4X20MM BLK	
2-25	ICH008004-0001	RUBBER PAD, D20XT3MM BLK	
2-26	 TT1123001-0040	PWR TRANSFORMER, 230V [E, SAF, GR, HK, SG]	
	 TSC200002-0020	PWR TRANSFORMER, 230V [AUS]	
2-27	HNT140700-1300	NUT, M4XOD7.0XT3.0MM	
2-28	GSE000110-0004	BRACKET, TRANSFORMER	
2-29	BRB100028-0002	RUBBER PAD, 50X12XT2MM	
2-30	HSP140091-3250	SCREW, T4X25X0.7MM BLK	
2-31	DBU001002-0011	BUSHING	
2-32	 VPE003012-0010	LINE CORD [E, SAF, GR]	
	 VPE001014-0020	LINE CORD [AUS]	
	 VPE00A01A-0010	LINE CODE [SG, HK]	
2-33	BPN100040-0001	LED LENS	

3 PC BOARDS AND PART LISTS

MAIN PCB ASSY

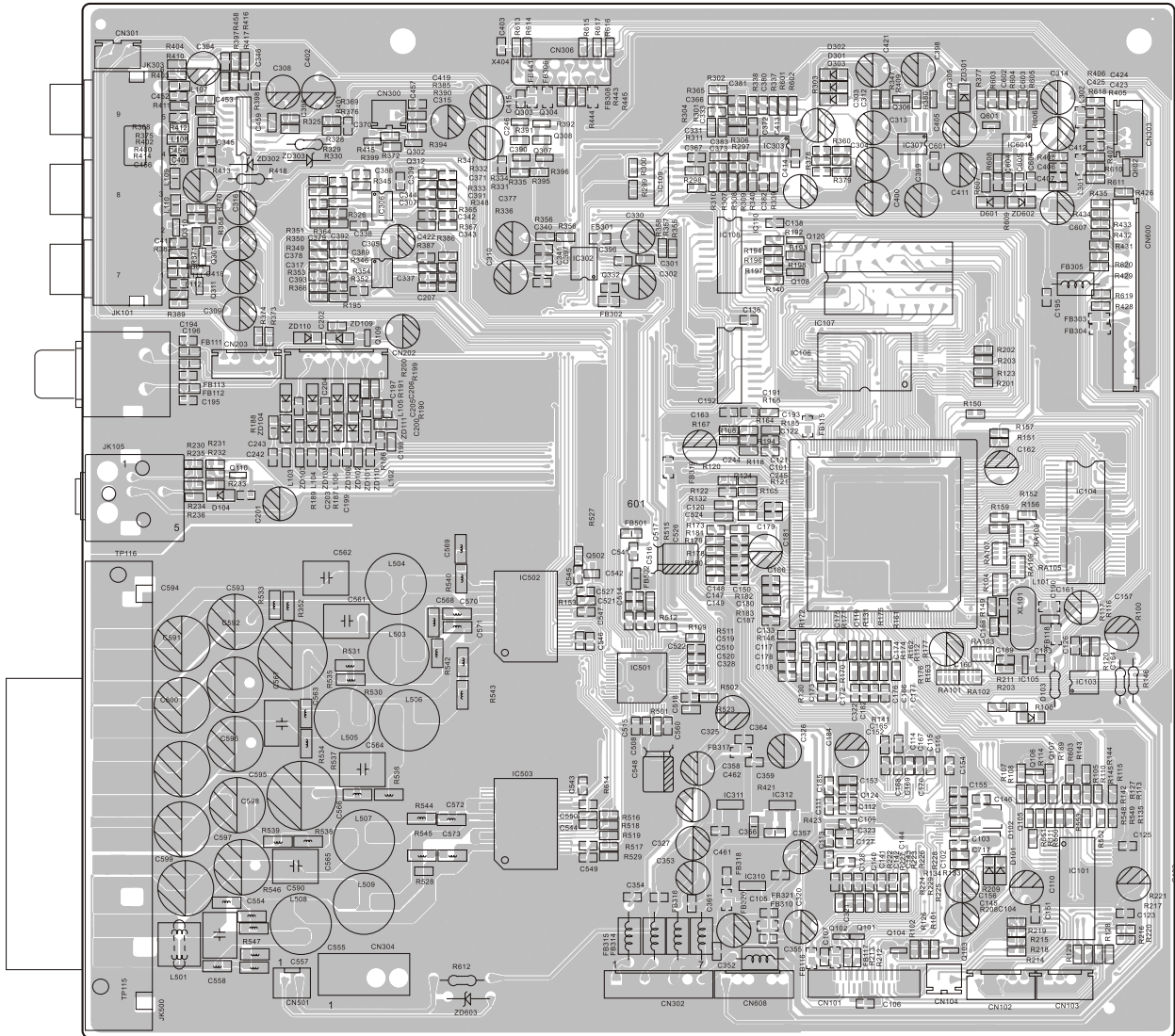
REF. NO	PARTS NO.	DESCRIPTION	REMARKS
	APE200831-0001	MAIN PCBASSY [E, GR]	
	APE200831-0002	MAIN PCBASSY [SAF, AUS]	
	APE200831-0005	MAIN PCBASSY [SG]	
	APE200831-0006	MAIN PCBASSY [HK]	
	LFM200831-0001	MAIN PCB	
C562-564	⚠ PDE039570-1020	CE.1000UF/50V	
CF001	JFT165003-0010	CER.FILTER LT10.7MA5	
CF002	JFT165003-0020	CER.FILTER10.7MS3	
CF003	JFT005001-0030	CER.FILTER 450KHZ	
CN001	CCN250000-0502	CONNECTOR S2B-XH-A 2PIN	
CN202	CCN200000-0107	CONNECTOR 7PIN	
CN203,801	CCN200000-0105	CONNECTOR 5PIN	
CN403	CCN200000-0102	CONNECTOR 2PIN	
CN600	CCN200000-0114	CONNECTOR 14PIN	
CN601	CCN250000-0102	CONNECTOR 2PIN B2B-XH-A	
CN602	CCN250000-0108	CONNECTOR B8B-XH-A 8PIN	
CN606	CCN396020-0104	CONNECTOR 4PIN	
CN608	CCN200000-0103	CONNECTOR 3PIN	
CN609	CCN200000-0104	CONNECTOR 4PIN	
CN802	CCH100010-2206	CONNECTOR 6PIN	
CN803	CHC050050-0824	CHIP CONNECTOR 24PIN	
D001-004,601-603, D607-612,401,801, D901,ESD1,2,D100 D005	RCD114148-0011	CHIP DIODE 1N4148W	
	RAD114148-0010	DIODE - 1N4148	
D604	RAD114001-0010	DIODE - IN4001	
EF001	WTP000011-0004	TUNER PACK KST-F404HA-2B(EU)	
FB101,102,114,115 FB600,903,904	SFB001001-0030	BEAD FERIT 100 OHM	
FB103,104,111-113, FB116,121,901,902, L514,515,801,802	SCB008050-6010	CHIP BEAD 600 OHM	
IC001	RCI001837-0001	IC - LA1837	
IC002	RCI072131-0001	IC - LC7213M	
IC003	RCI072720-0002	IC - LC72720NM [E, GR]	
IC101	RCI390080-0001	IC - SST39VF080	
IC102	RCI740374-0003	IC - 74F374D	
IC103,108	RCI740374-0002	IC - 74HC374	
IC104	RCI740157-0002	IC - SN74F157A	
IC105	RCI000809-0003	IC - IMP809SEUR-T	
IC106	RCI006028-0001	IC - ES6028	
IC107	RCI024002-0002	IC - AT24C02N	
IC109	RCI400160-0001	IC - 4MX16Y3VTW	
IC110	RCI008772-0001	IC - WM8772	
IC114,810	RCI916433-0001	IC - RT9164-33CLR	
IC115,605	RCI011170-0001	IC - B1117N	
IC401-404,406	RCI004558-0003	IC - RC4558D	
IC405	RCI004052-0001	IC - TC4052BFN	
IC500-502	RCI000505-0001	IC - STA505	
IC503	RCI000308-0001	IC - STA308	
IC602	RHI007808-0001	IC - L7808	
IC603,604	RHI007805-0401	IC - BA05T	

PL-D2100

MAIN PCB ASSY

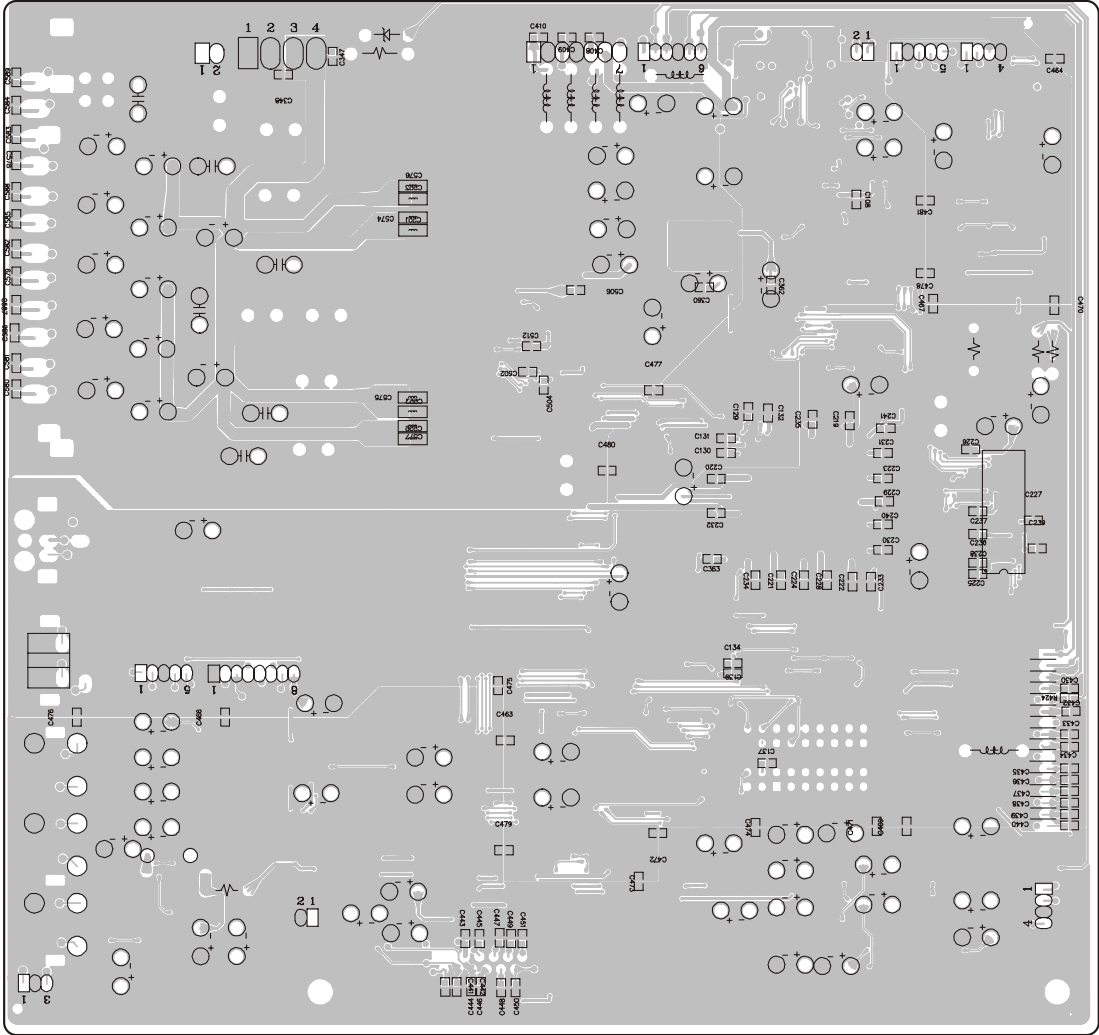
REF. NO	PARTS NO.	DESCRIPTION	REMARKS
IC608	RCI002259-0001	IC - PT2259	
IC609	RCI005228-0001	IC - TP5228	
IC801	RCI006560-0001	IC - LA6560	
IC802	RCI009703-0001	IC - LA9703W	
IC803	RCI078663-0001	IC - LC78663NRW	
IC804	RCI411625-0001	IC - IC41LV16256-35T	
IC807	RCI740032-0005	IC - SN74LVC32ANS	
IC808	RCI740014-0006	IC - SN74HC14NS	
IC809	RCI003580-0001	IC - LM358MX	
JK001	CJA003002-2010	RF JACK	
JK101	CJC010004-3030	RCA+DIN JACK - RCA-125	
JK401	CJR006301-0040	RCA JACK 6PIN	
JK105	CJT100001-0002	TDSK JACK DLT1111	
JK500	CJS010101-0020	SPEAKER JACK 10PIN	
L001,003,007	SAN001600-1000	CHOKE 10uH	
L002	SIL106003-3930	COIL 39MH	
L103-106	SCN023500-2490	CHIP INDUCTOR 2.4UH	
L500,501,504-507, L516-519	SIN002002-3000	INDUCTOR 30uH	
L508-510,512,513	SIL102001-2000	CHOKE COIL 20uH 4PIN	
L602,603	SCN023600-1000	CHIP INDUCTOR 10 uH	
Q001	RAM200192-1001	TR - 2SK192A	
Q002,003	RCN201009-0001	TR - 2SC1009A	
Q004,104,106,111 Q401,601,604	RCP200733-0001	TR - 2SA733 (SMT)	
Q005,006,101-103, Q108,110,602,603, Q105,605-607,903	RCN201623-0001	TR - 2SC1623 (SMT)	
Q402,403	RCN005783-0001	TR - CM5783GR	
Q801,802	RCP005051-0001	TR - Cm5051	
Q803-806	RCN003875-0001	TR - KTC3875	
Q904	RCN000114-0001	TR - DDTC114ECA	
R608	△ QFN105000-5610	RES. 560 OHM 1W	
RA101,102	QCP015081-3300	RES. ARRAY 4X33 OHM	
RA104-106,801-803	QCP015081-1000	CHIPARRAY 10 OHM	
RA117,118	QCP015081-4720	RES. ARRAY 4X4.7K	
SN601	RNT005005-1030	NTC 10K	
T001	SIL013012-0010	OSC FM COIL	
T002	SIL013009-0011	ANT OSC COIL	
T003	SIL013010-0012	OSC COIL 108UH	
T004	SIL016001-0010	BIAS COIL 78KHZ	
T005,006	SIL016001-0020	BIAS COIL 16KHZ	
T007	SIF020001-0050	FM IFT 10.7MHZ	
T008	SIF010001-0040	AM IFT 455KHZ	
TC001	MVC001001-0010	COND TRIMMER 3-10PF	
TC002	MVC001002-0010	COND TRIMMER 4.2-20PF	
VD001,002	RHV100149-0001	DIODE - ISV149B	
XL001	JQC112100-4550	CRYSTAL 4.50MMHZ	
XL002	JQC013102-4351	CRYSTAL 4.332MHZ	
XL101	JQC158100-2760	CRYSTAL 27MHZ	
XL801	JQC012000-1661	CRYSTAL 16.9344MHZ	
ZD101-108	RCZ005007-0021	CHIP ZENER 7.5V	
ZD109,401,402,605	RCZ005006-0011	CHIP ZENER 5.6V	
ZD602	RAZ005012-0010	DIODE ZENER 11.9-12.4V	

MAIN PCB - TOP



PL-D2100

MAIN PCB - BOTTOM



CONTROL PCB ASSY - TOP

REF. NO	PARTS NO.	DESCRIPTION	REMARKS
	APE200751-0002	CONTROL PCB ASSY	
	LVC200751-0301	CONTROL PCB	
D301-D303	RAD114148-0010	DIODE - IN4148	
DP301	KLV000016-0020	VFD VA84X9PA	
JK301	CJM135006-1011	PHONE JACK D3.5MM	
SN301	RHO200038-0001	IRT SENSOR B38F	
TA302-TA310	MAW060001-0010	TACT SW SKHVBE3520	
XL301	JRN140001-0010	RESONATOP 2PIN 455KHZ	
ZD301	RAZ005006-0030	DIODE ZENER 6.0V-6.3V	

CONTROL PCB ASSY - BOTTOM

REF. NO	PARTS NO.	DESCRIPTION	REMARKS
IC301	RCI006311-0002	IC - VDTR6311A	
IC302	RCI000809-0003	IC - IMP809SEUR-T	
Q301	RCN201623-0001	TR - 2SC1623 (SMT)	
Q302,303	RCP005051-0001	TR - CM5051	

STANDBY PCB ASSY

REF. NO	PARTS NO.	DESCRIPTION	REMARKS
	APE200752-0001	STANDBY PCB ASSY	
	LVC200752-0302	STANDBY PCB	
LD301	KED300052-0010	LED 2X5MM (ORANGE)	
TA301	MAW060001-0010	AI TACT SW SKHVBE3520	

SCART PCB ASSY [E, GREECE, SAF, AUS, SG]

REF. NO	PARTS NO.	DESCRIPTION	REMARKS
	APE200832-0001	SCART PCB ASSY	
	LFM200832-0001	SCART PCB	
FB105-110,117-120	SBC008050-6010	CHIP BEAD 600 OHM	
JK102	CSS021001-1030	SCART SOCK 21PIN	
JK106	CJR001101-0021	RCA JACK 1PIN	

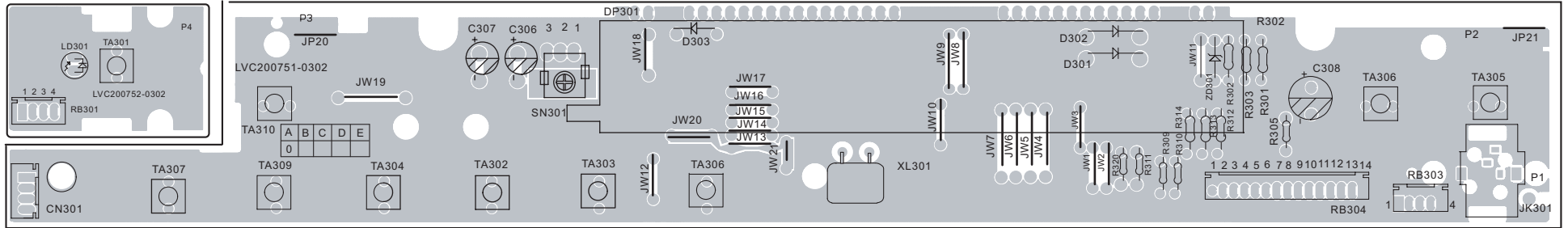
YUV PCB ASSY [HK]

REF. NO	PARTS NO.	DESCRIPTION	REMARKS
	APE104210-0001	YUV PCB ASSY	
	LFA104210-1001	YUV PCB	
FB1-FB3	SCB008050-6010	CHIP BEAD 600 OHM	
JK1	CJR003301-0020	RCA JACK 3PIN	
JK2	CJR001101-0021	RCA JACK 1PIN	

PL-D2100

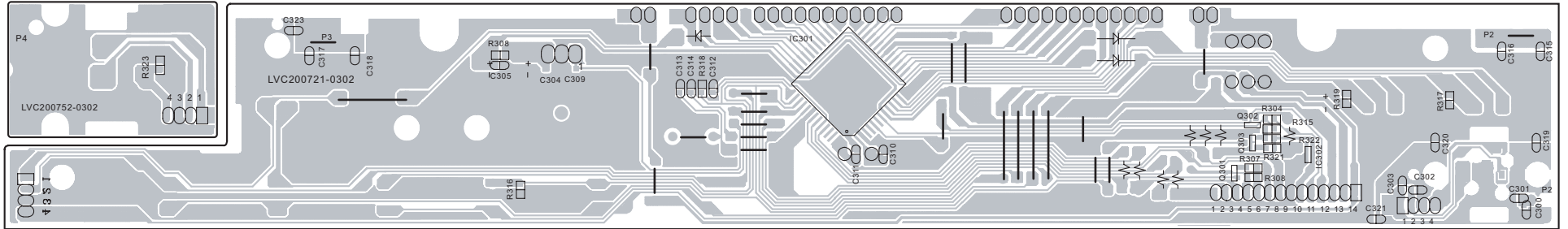
STANDBY PCB

CONTROL PCB - TOP



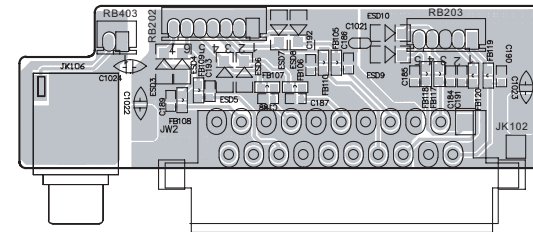
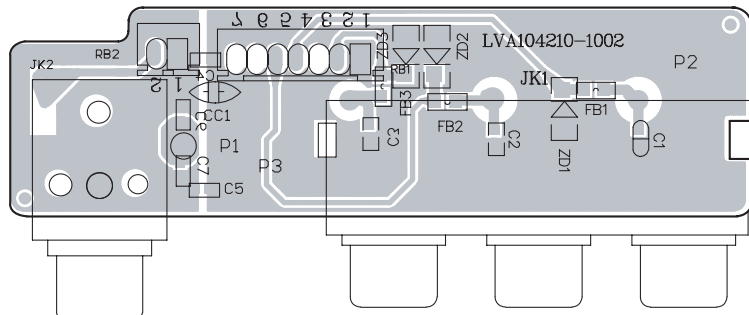
STANDBY PCB

CONTROL PCB - BOTTOM



YUV PCB

SCART PCB

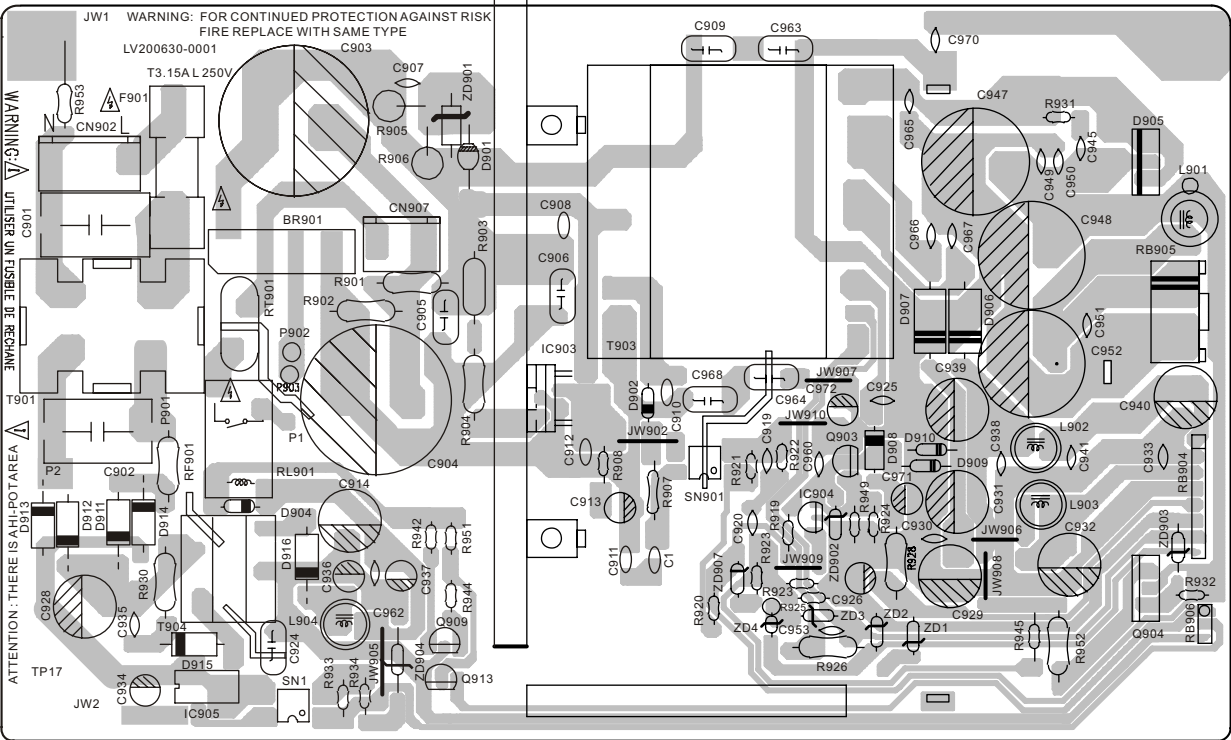


POWER PCB ASSY

REF. NO	PARTS NO.	DESCRIPTION	REMARKS
	APE20063-0004	POWER PCB ASSY	
	LVP200630-0002	POWER PCB	
BR901	⚠ RHD208100-0010	BRIDGE KBU808	
C901,902	⚠ PVX2705G0-2240	COND SAFETY 0.22UF	
C903,904	⚠ PJE0995E0-2210	CE 220UF/200V	
C905,906,909,924	⚠ PVY1705F0-2222	COND SAFTY 0.0022UF	
C956,963,964,968			
C932,939,940	⚠ PME039540-1020	CE 1000UF/16V	
C929,931	PVE039550-1020	CE 1000UF/25V	
C947,948,952	⚠ PVE039570-1020	CE 1000UF/50V	
CN902	CCN396021-0104	CONNECTOR 4PIN	
D915	⚠ RAD114007-0020	DIODE UF4007	
D901	⚠ RAD100026-0010	DIODE BYV26D	
D902	⚠ RAD114148-0010	DIODE 1N4148	
D904	⚠ RAD114001-0010	DIODE RECTIFIER 1N4001	
D905	⚠ RHD208020-0010	BRIDGE MUR1620CT	
D906	⚠ RAD115822-0010	DIODE 1N5822	
D907	⚠ RAD100204-0010	DIODE HER204	
D908	⚠ RAD100104-0010	DIODE HER104	
D911-D914	⚠ RAD114007-0010	DIODE 1N4007	
D916	⚠ RAD100103-0020	DIODE FR103	
F901	⚠ KSA020315-0120	FUSE 3.15A/250V	
IC903	RHI000249-0001	IC - TOP249	
IC904	RHI004310-0001	IC - TL431	
IC905	RHI001050-0001	IC - NCP1050DIP	
L901	SIL106001-6090	INDUCTOR 6uH 10.5TS	
L902	SIL006015-6090	CHOKO COIL 6uH	
L903	SIL106002-6090	INDUCTOR 6uH 13.5TS	
L904	SIL206001-1000	COIL 10uH	
Q903	RAN202222-0001	TR - PN2222A	
Q904	RHN000122-0001	TR - TIP122	
Q913	RAN202001-0001	TR - 2SC2001L	
R905,906	⚠ QGN205000-6830	RES, 68K 2W	
RL901	⚠ MRL005001-0010	RELAY GJ-SH-105DM	
RT901	⚠ RNT005130-5090	NTC- 5 OHM	
SN901,SN1	⚠ RHO615003-3001	OPT SENSOR SFH615A-3	
T901	⚠ JFT201001-0010	LINE FILTER ET24	
T903	⚠ TSC200002-0020	PWR TRANS. EE-42/42	
T904	⚠ TSC200001-0010	PWR TRANS.EE16/14	
ZD1,2	RAZ005015-0020	DIODE ZENER 14.5-15.1V	
ZD5	RAZ005005-0030	DIODE ZENER 5.0-5.2V	
ZD6	RAD160200-0010	DIODE P6KE200A	
ZD901	RAD160200-0010	DIODE P6KE200A	
ZD902	RAZ005006-0020	DIODE ZENER 5.6-5.9V	
ZD903	RAZ005007-0020	DIODE ZENER 6.9-7.2V	
ZD904	RAZ005004-0020	DIODE ZENER 3.8-4.0V	
ZD907	RAZ005024-0020	DIODE ZENER 23.6-24.7V	

PL-D2100

POWER PCB



SUBWOOFER - AMP PCB ASSY

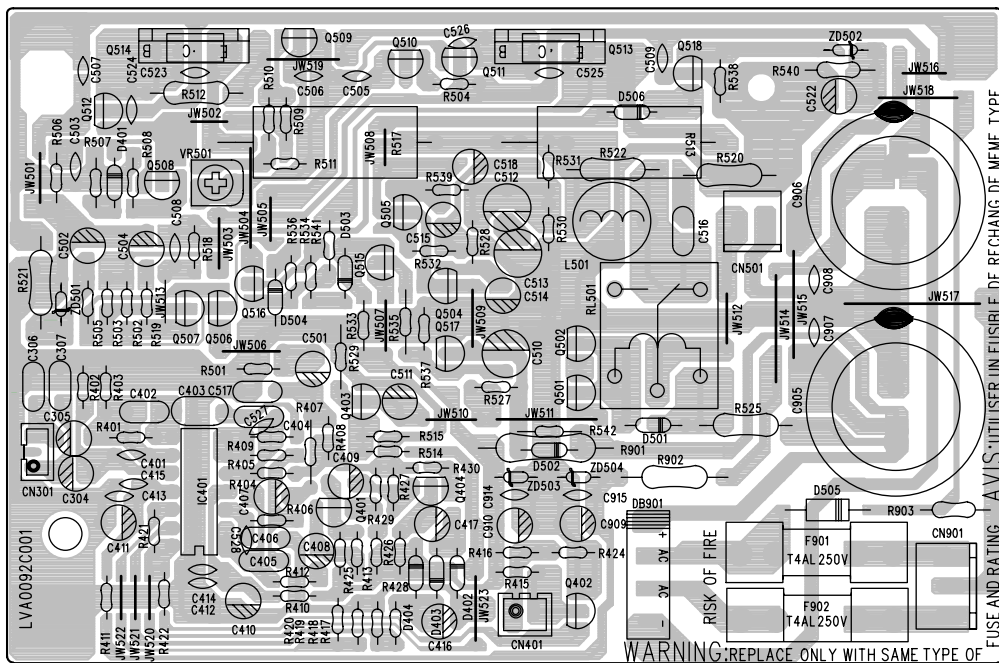
REF. NO	PARTS NO.	DESCRIPTION	REMARKS
	APE100092-0004	AMP PCB ASSY	
	LVA100092-0001	AMP PCB	
BD901	⚠ RHD204010-0011	BRIDGE RS402L 4A	
C905,906	⚠ PVE039570-4720	CE. 4700UF/50V	
CN301	CCN200000-0103	CONNECTOR 3PIN	
CN401	CCN250000-0102	CONNECTOR B2B-XH-A	
CN901	CCN396010-0103	CONNECTOR 3PIN	
D401-404,502, D503,504,506	RAD114148-0010	DIODE 1N4148	
D501,505	RAD114001-0010	DIODE RECTIFIER 1N4001	
F901,902	⚠ KSA020400-0121	FUSE 4A 250V	
IC401	RHI000740-0001	IC - TL074CN	
L501	SIL001003-1090	RF COIL 1uH	
Q401-404,501, Q502,504,505, Q509,510,516,517	RAN200945-0001	TR - 2SC945P	
Q506-508,515,518	RAP200733-0001	TR - 2SA733Q	
Q511	RHN200965-0001	TR - 2SA965	
Q512	RHN202235-0001	TR - 2SC2235	
Q513	RHP201941-0001	TR - 2SA1941	
Q514	RHN205198-0001	TR - 2SC5198	
RL501	MRL012005-0010	RELAY RPA-12V	
ZD501	RAZ005012-0010	DIODE ZENER 11.9-12.4V	
ZD502-504	RAZ005015-0020	DIODE ZENER 14.5-15.1	

SUBWOOFER - LED PCB ASSY

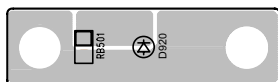
REF. NO	PARTS NO.	DESCRIPTION	REMARKS
	APE100102-0022	LED PCB ASSY	
	LVA100102-0021	LED PCB	
D920	KED630052-0010	LED 2X5MM BLUE/ORANGE 2PIN	

PL-D2100

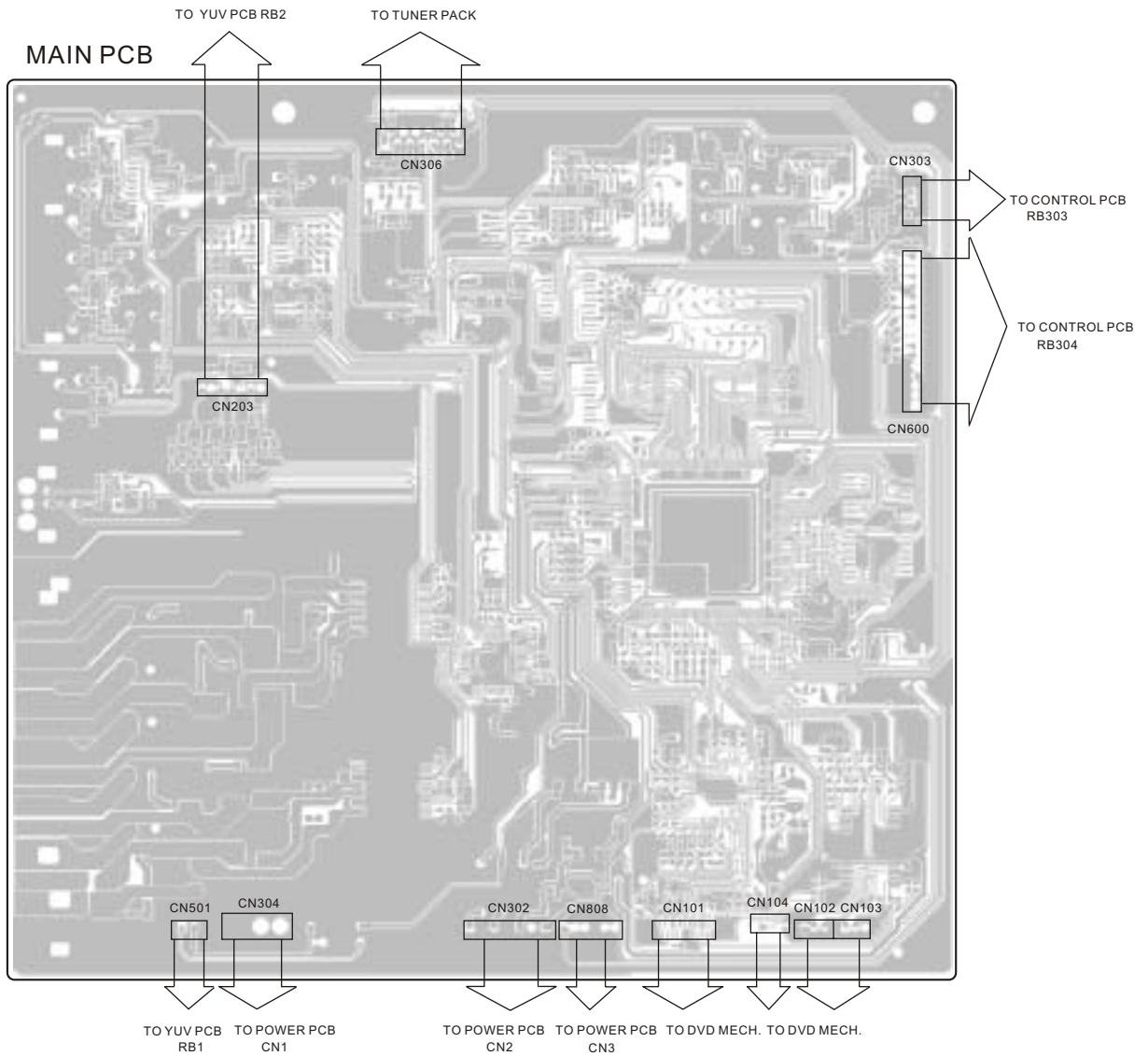
SUBWOOFER - AMP PCB



SUBWOOFER - LED PCB



4 WIRING DIAGRAM



PL-D2100

5 INCLUDED ACCESSORIES

INCLUDED ACCESSORIES

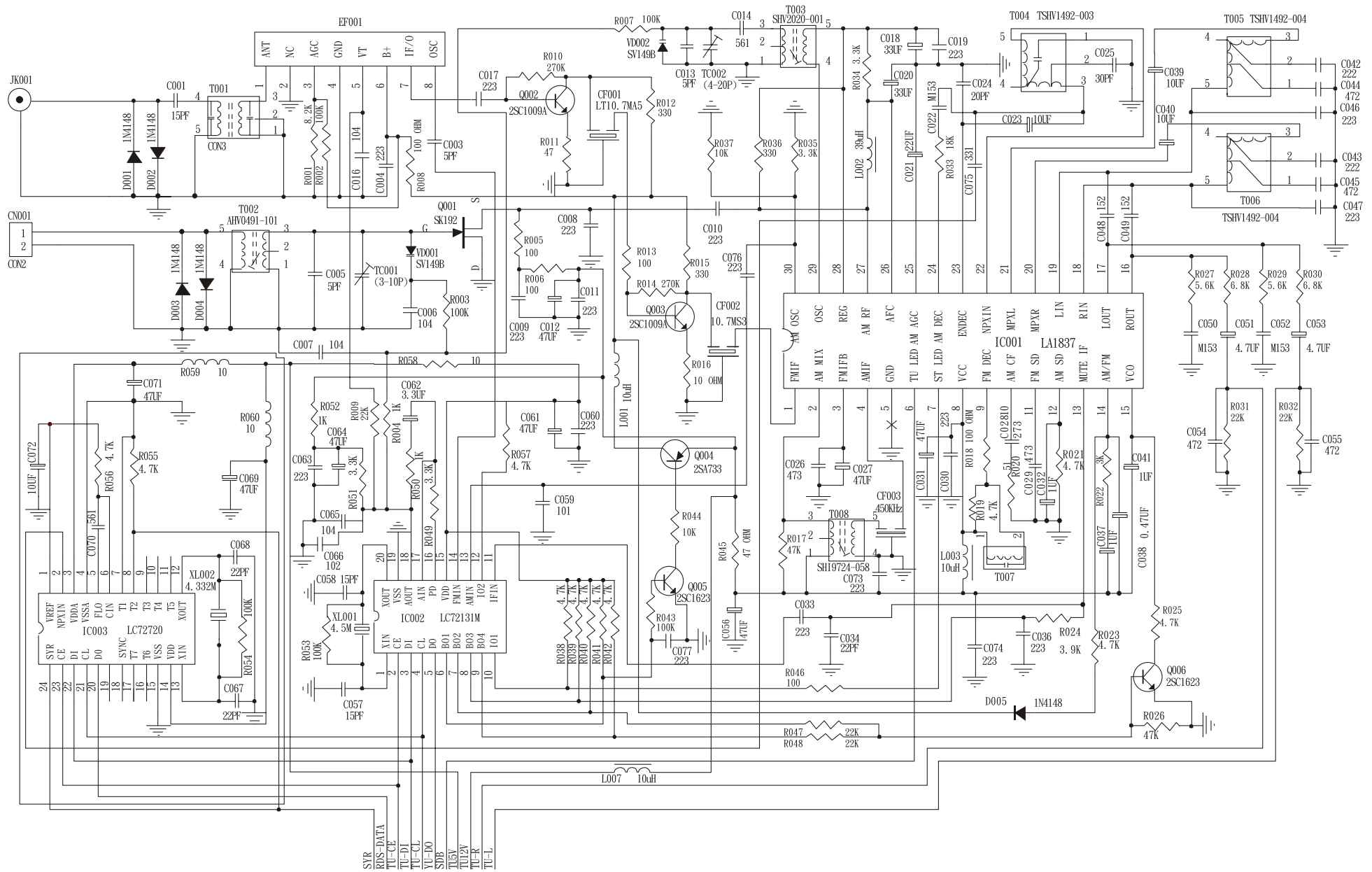
REF. NO	PARTS NO.	DESCRIPTION	REMARKS
	YOM200008-0001	INSTRUCTION BOOK-ENG [E, GR,SAF,AUS,SG]	
	YOM200008-0002	INSTRUCTION BOOK - SPANISH/FRENCH/ITALIAN/GE [E, GR]	
	YOM200008-0005	INSTRUCTION BOOK - GREEK [GR]	
	YOM200008-0007	INSTRUCTION BOOK - ENG [HK]	
	VTA400002-0010	LOOP ANT W/2P 2.5mm x 1	
	VTA400003-0010	FM ANTENNA 1000mm x 1	
	VRC101002-0030	RCA CABLE 5000MM	
	VRC101008-1020	RCA CABLE 1500MM	
	FBY006315-0003	BATTERY (AA, R6, SUM-3) x 2	
	VWR333BB-0090	SPEAKER CABLE X5	
	AIR-154015-3301	REMOTE CONTROL	

PL-D2100

TEAC

TEAC CORPORATION	3-7-3 Nakacho, Musashino-shi, Tokyo 180-8550, Japan Phone:(0422)52-5081
TEAC AMERICA, INC.	7733 Telegraph Road, Montebello, California 90640 Phone: (323)726-0303
TEAC CANADA LTD.	5939 Wallace Street, Mississauga, Ontario L4Z 1Z8, Canada Phone: (905)-890-8008
TEAC MEXICO, S.A.De C.V.	Campesinos 184,Col. Granjas Esmeralda, 09810, Mexico Phone: (525)-581-5500
TEAC UK LIMITED	5 Marlin House, Croxley Business Park, Watford, Hertfordshire, WD18 8TE, U.K. Phone: 01923-819699
TEAC DEUTSCHLAND GmbH	Bahnstrasse 12, 65205 Wiesbaden-Erbenheim, Germany Phone:0611-71580
TEAC FRANCE S.A.	17, Rue Alexis-de-Tocqueville, CE 005 92182 Antony Cedex, France Phone:(1)42.37.01.02
TEAC NEDERLAND BV	Oeverkruid 15,NL-4941 W Raamsdonksveer, Nederland Phone:0162-510210
TEAC BELGIUM NV/SA.	c/o TEAC NEDERLAND BV, Oeverkruid 15, NL-4941 W Raamsdonksveer, Nederland Phone:+31-162-510860
TEAC ITALIANA S.p.A.	Via C, Cantu 11, 20092 Cinisello Balsamo, Milano, Italy Phone:02-66010550
TEAC AUSTRALIA PTY., LTD.	280 William Street, Melbourne, VIC 3000, Australia Phone:(03)9672-2400
A.B.N.	80 005 408 462

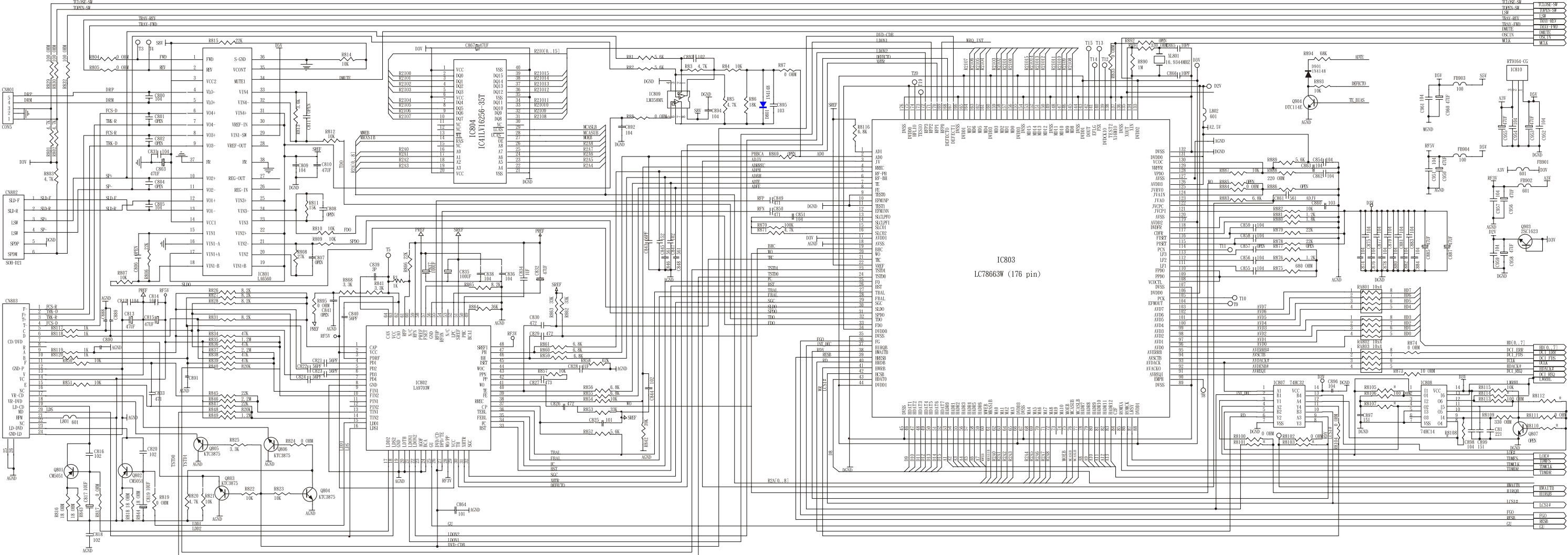
MAIN PCB - TUNER



PL-D2100

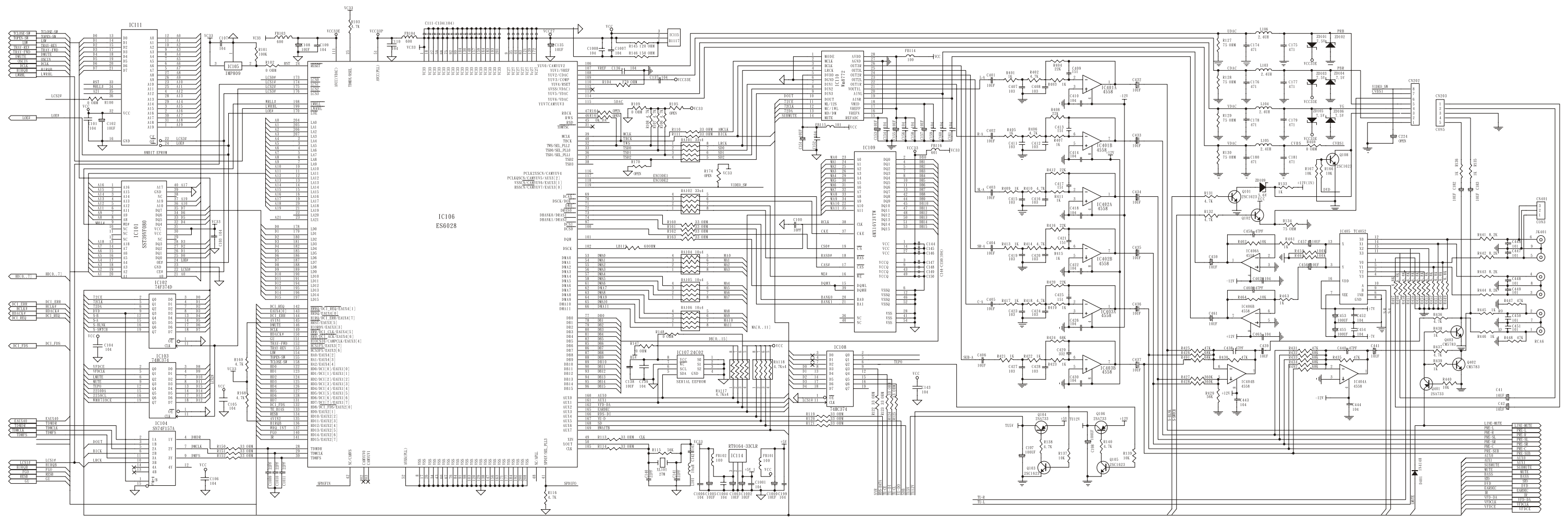
DVD HOME THEATER SYSTEM

MAIN PCB - SERVO & DSP



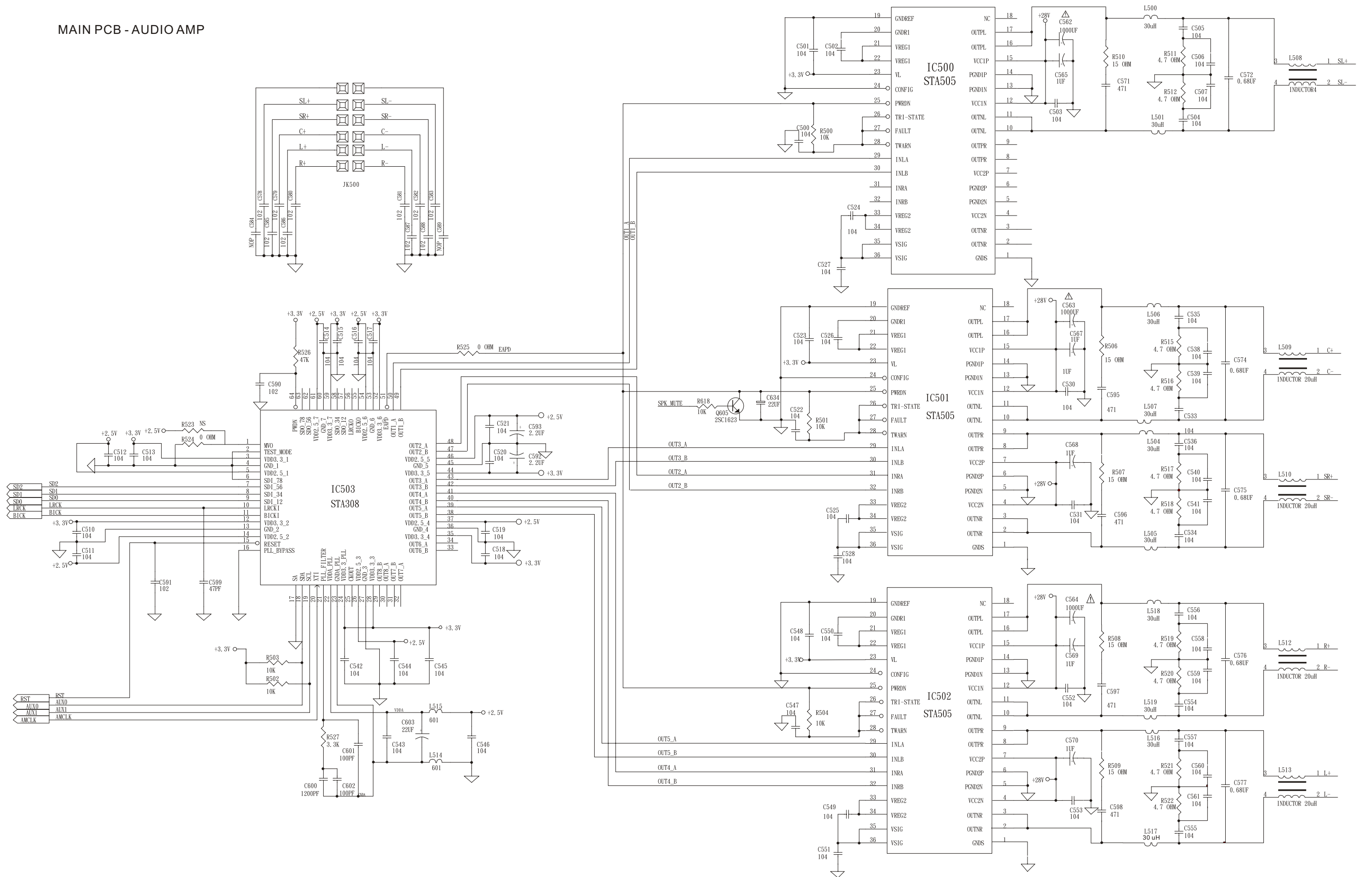
PL-D2100
DVD HOME THEATER SYSTEM

MAIN PCB - DECODE



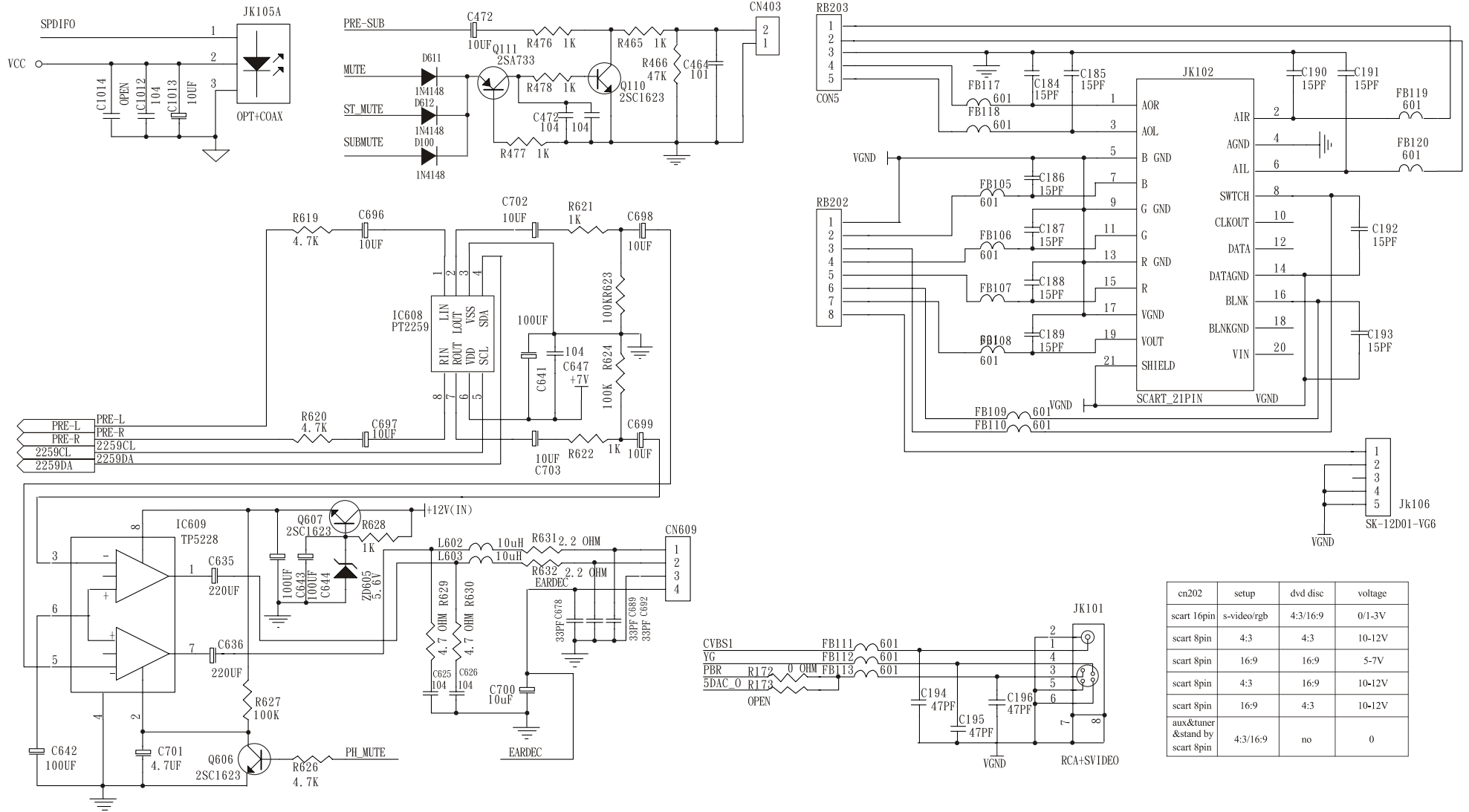
PL-D2100
DVD HOME THEATER SYSTEM

MAIN PCB - AUDIO AMP



PL-D2100
DVD HOME THEATER SYSTEM

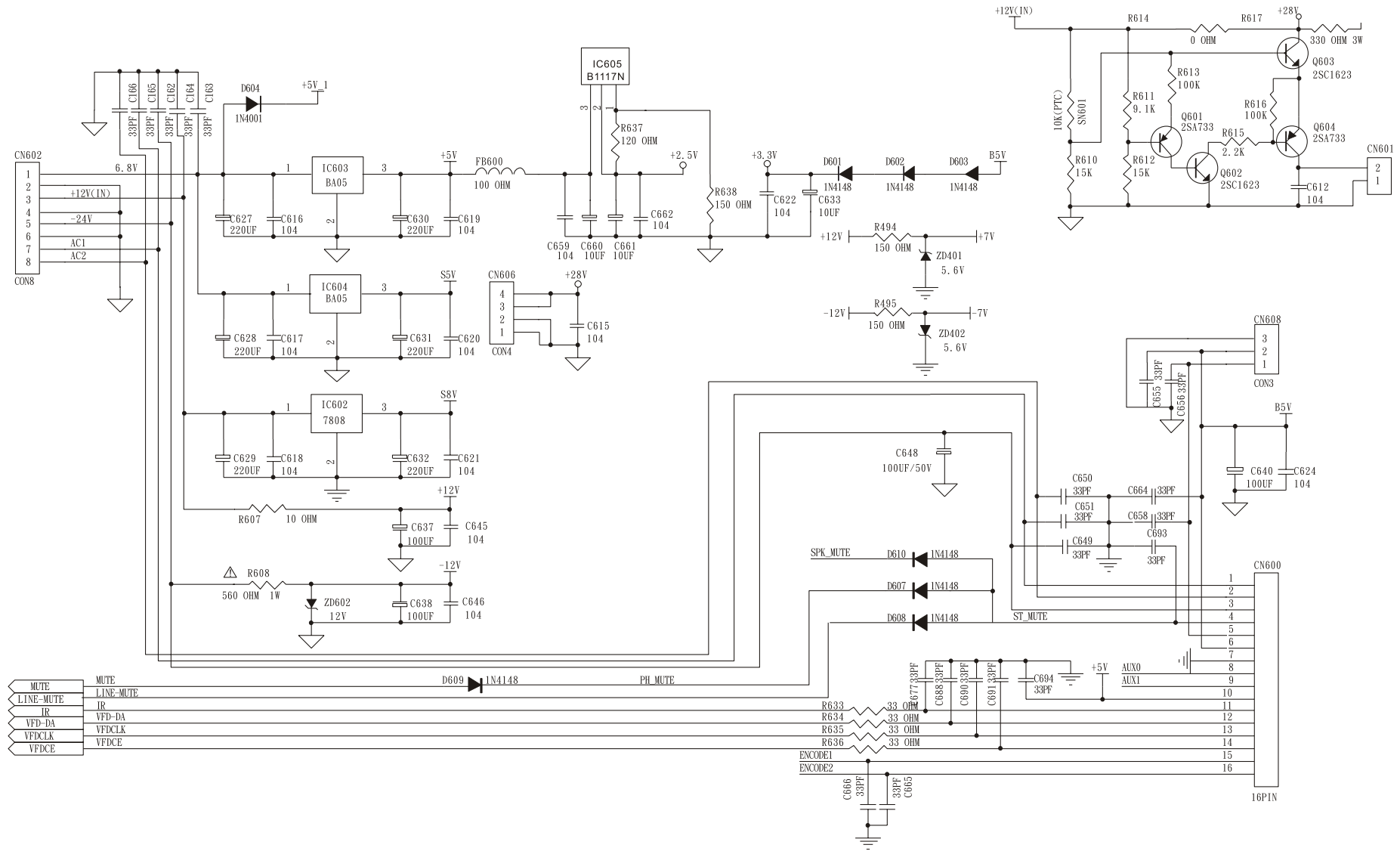
MAIN PCB - OUTPUT JACK



cn202	setup	dvd disc	voltage
scart 16pin	s-video/rgb	4:3/16:9	0/1-3V
scart 8pin	4:3	4:3	10-12V
scart 8pin	16:9	16:9	5-7V
scart 8pin	4:3	16:9	10-12V
scart 8pin	16:9	4:3	10-12V
aux&tuner &stand by scart 8pin	4:3/16:9	no	0

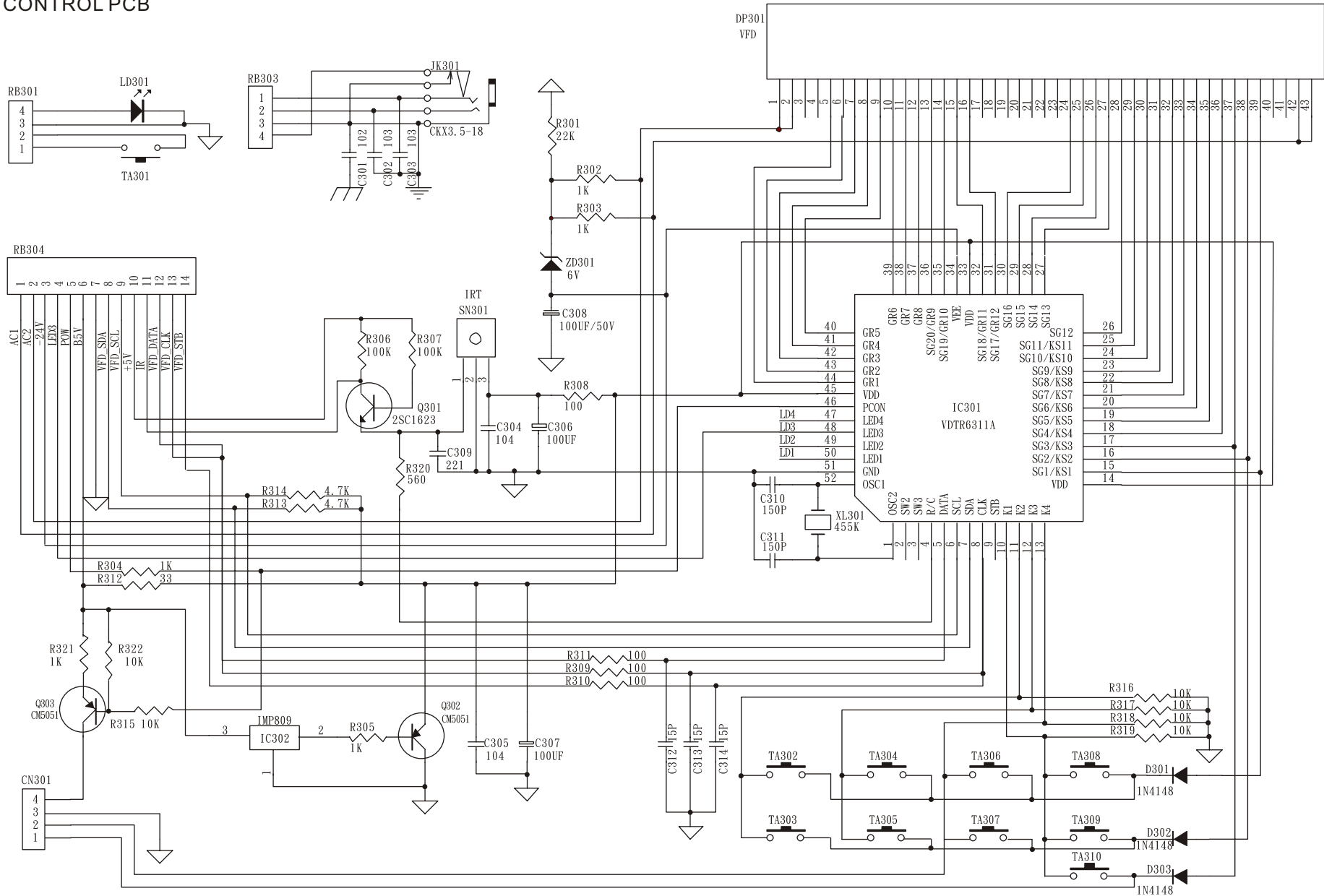
PL-D2100 DVD HOME THEATER SYSTEM

MAIN PCB - POWER & FAN



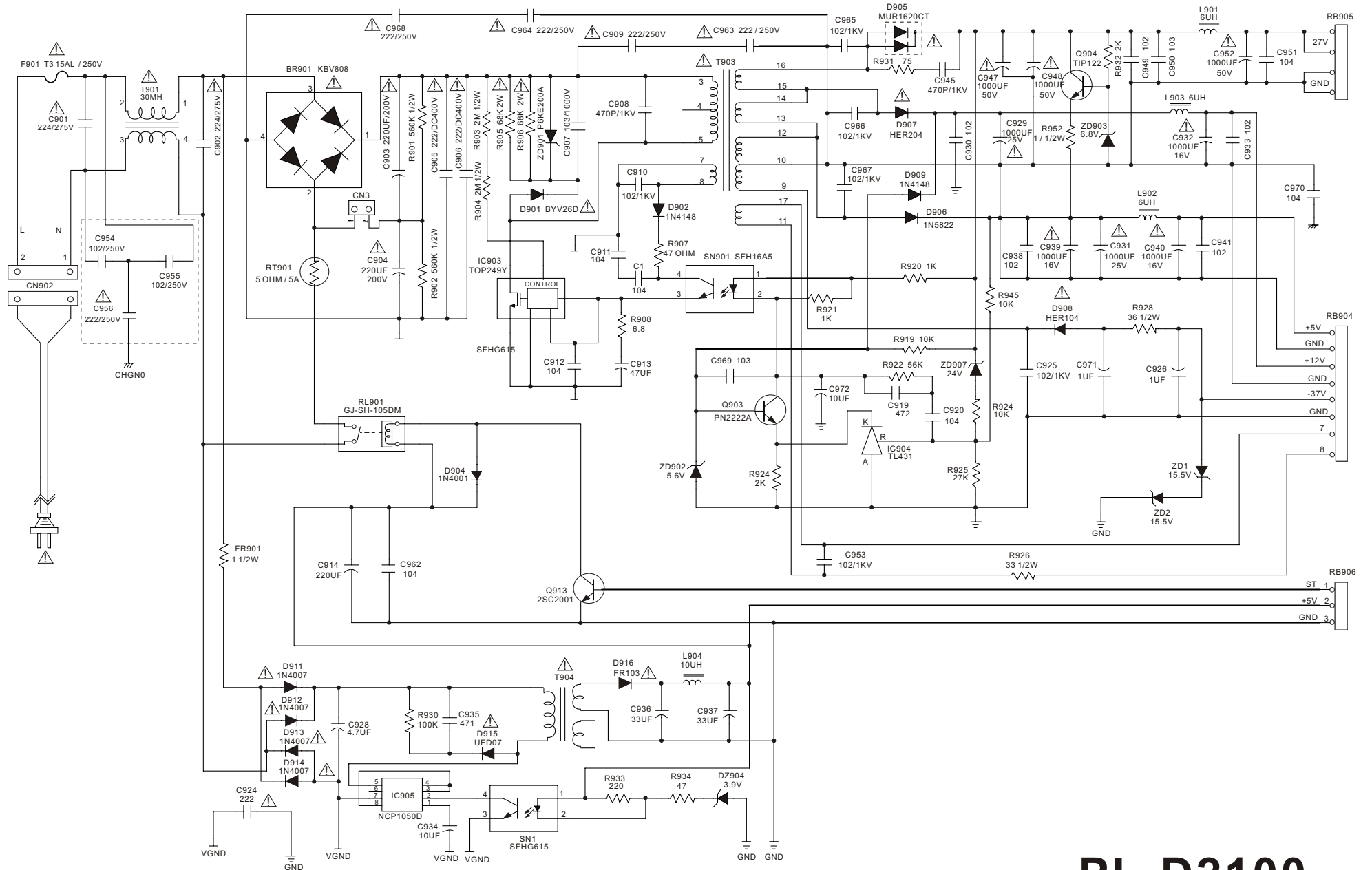
PL-D2100
DVD HOME THEATER SYSTEM

CONTROL PCB



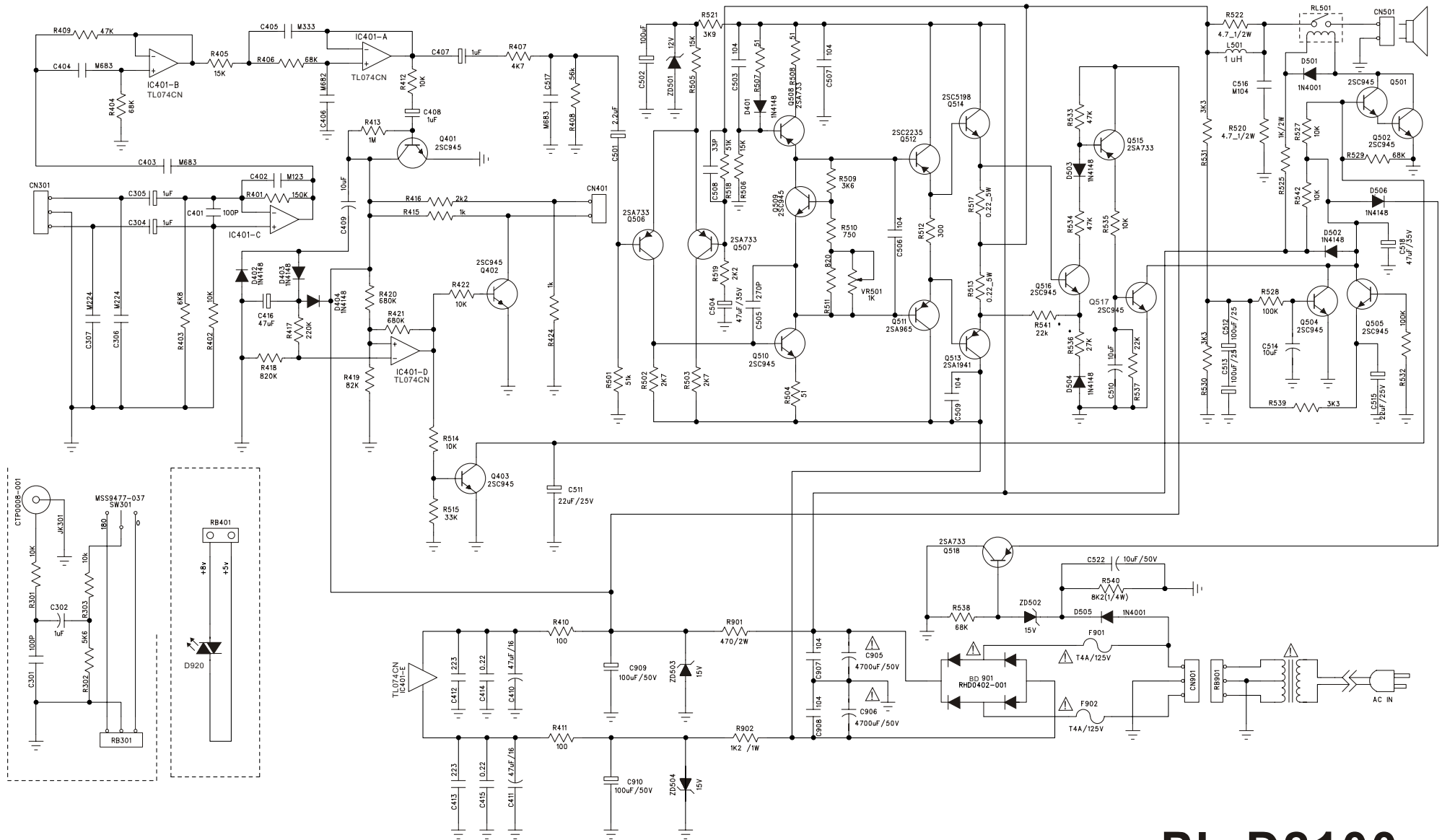
PL-D2100
DVD HOME THEATER SYSTEM

POWER PCB



PL-D2100 DVD HOME THEATER SYSTEM

SUBWOOFER - AMP PCB



PL-D2100

DVD HOME THEATER SYSTEM